

COMPSCI 514: ALGORITHMS FOR DATA SCIENCE

Cameron Musco

University of Massachusetts Amherst. Spring 2020.

Lecture 12

- Problem Set 2 is due this upcoming Sunday 3/8 at 8pm.
- Midterm is next Thursday, 3/12. See webpage for study guide/practice questions.
- I will hold office hours **after class today**.
- Next week office hours will be at the usual time after class Tuesday and also **before class at 10:00am**.

Last Class: Finished Up Johnson-Lindenstrauss Lemma

- Completed the proof of the Distributional JL lemma.
- Showed two applications of random projection: faster support vector machines and k -means clustering.
- Started discussion of high-dimensional geometry.

This Class: High-Dimensional Geometry

- Bizarre phenomena in high-dimensional space.
- Connections to JL lemma and random projection.

What is the largest set of mutually orthogonal unit vectors in d -dimensional space? Answer: d .

What is the largest set of unit vectors in d -dimensional space that have all pairwise dot products $|\langle \vec{x}, \vec{y} \rangle| \leq \epsilon$? (think $\epsilon = .01$)
Answer: $2^{\Theta(\epsilon^2 d)}$.

In fact, an exponentially large set of **random vectors** will be nearly pairwise orthogonal with high probability!

Claim: $2^{\Theta(\epsilon^2 d)}$ random d -dimensional unit vectors will have all pairwise dot products $|\langle \vec{x}, \vec{y} \rangle| \leq \epsilon$ (be nearly orthogonal).

Proof: Let $\vec{x}_1, \dots, \vec{x}_t$ each have independent random entries set to $\pm 1/\sqrt{d}$.

- **What is $\|\vec{x}_i\|_2$?** Every \vec{x}_i is always a unit vector.
- **What is $\mathbb{E}[\langle \vec{x}_i, \vec{x}_j \rangle]$?** $\mathbb{E}[\langle \vec{x}_i, \vec{x}_j \rangle] = 0$
- By a Chernoff bound, $\Pr[|\langle \vec{x}_i, \vec{x}_j \rangle| \geq \epsilon] \leq 2e^{-\epsilon^2 d/6}$.
- If we chose $t = \frac{1}{2}e^{\epsilon^2 d/12}$, using a union bound over all $\binom{t}{2} \leq \frac{1}{8}e^{\epsilon^2 d/6}$ possible pairs, with probability $\geq 3/4$ all will be nearly orthogonal.

Up Shot: In d -dimensional space, a set of $2^{\Theta(\epsilon^2 d)}$ random unit vectors have all pairwise dot products at most ϵ (think $\epsilon = .01$)

$$\|\vec{x}_i - \vec{x}_j\|_2^2 = \|\vec{x}_i\|_2^2 + \|\vec{x}_j\|_2^2 - 2\vec{x}_i^T \vec{x}_j \geq 1.98.$$

Even with an exponential number of random vector samples, we don't see any nearby vectors.

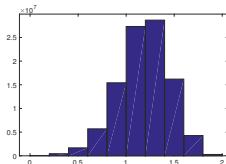
- Can make methods like nearest neighbor classification or clustering useless.

Curse of dimensionality for sampling/learning functions in high-dimensional space – samples are very ‘sparse’ unless we have a huge amount of data.

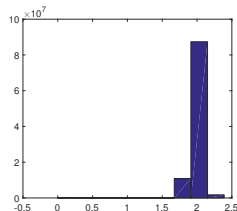
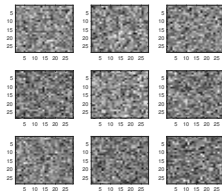
- Only hope is if we lots of structure (which we typically do...)

CURSE OF DIMENSIONALITY

Distances for MNIST Digits:



Distances for Random Images:



Another Interpretation: Tells us that random data can be a very bad model for actual input data.

Recall: The Johnson Lindenstrauss lemma states that if $\mathbf{\Pi} \in \mathbb{R}^{m \times d}$ is a random matrix (linear map) with $m = O\left(\frac{\log n}{\epsilon^2}\right)$, for $\vec{x}_1, \dots, \vec{x}_n \in \mathbb{R}^d$ with high probability, for all i, j :

$$(1 - \epsilon)\|\vec{x}_i - \vec{x}_j\|_2^2 \leq \|\mathbf{\Pi}\vec{x}_i - \mathbf{\Pi}\vec{x}_j\|_2^2 \leq (1 + \epsilon)\|\vec{x}_i - \vec{x}_j\|_2^2.$$

Implies: If $\vec{x}_1, \dots, \vec{x}_n$ are nearly orthogonal unit vectors in d -dimensions (with pairwise dot products bounded by $\epsilon/8$), then $\frac{\mathbf{\Pi}\vec{x}_1}{\|\mathbf{\Pi}\vec{x}_1\|_2}, \dots, \frac{\mathbf{\Pi}\vec{x}_n}{\|\mathbf{\Pi}\vec{x}_n\|_2}$ are nearly orthogonal unit vectors in m -dimensions (with pairwise dot products bounded by ϵ).

- Similar to SVM analysis. Algebra is a bit messy but a good exercise to partially work through.

Claim 1: n nearly orthogonal unit vectors can be projected to $m = O\left(\frac{\log n}{\epsilon^2}\right)$ dimensions and still be nearly orthogonal.

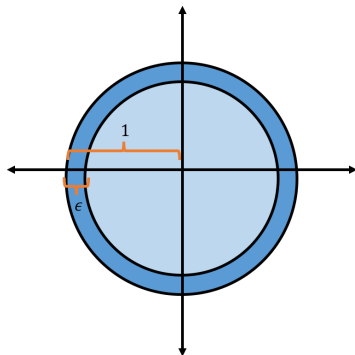
Claim 2: In m dimensions, there are at most $2^{O(\epsilon^2 m)}$ nearly orthogonal vectors.

- For both these to hold it might be that $n \leq 2^{O(\epsilon^2 m)}$.
- $2^{O(\epsilon^2 m)} = 2^{O(\log n)} \geq n$. Tells us that the JL lemma is optimal up to constants.
- m is chosen just large enough so that the odd geometry of d -dimensional space still holds on the n points in question after projection to a much lower dimensional space.

BIZARRE SHAPE OF HIGH-DIMENSIONAL BALLS

Let \mathcal{B}_d be the unit ball in d dimensions. $\mathcal{B}_d = \{x \in \mathbb{R}^d : \|x\|_2 \leq 1\}$.

What percentage of the volume of \mathcal{B}_d falls within ϵ distance of its surface? Answer: all but a $(1 - \epsilon)^d \leq e^{-\epsilon d}$ fraction. Exponentially small in the dimension d !

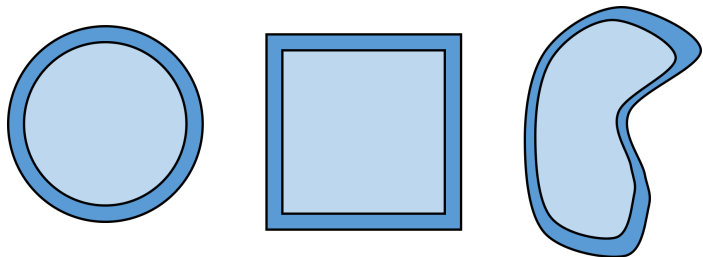


Volume of a radius R ball is $\frac{\pi^{\frac{d}{2}}}{(d/2)!} \cdot R^d$.

BIZARRE SHAPE OF HIGH-DIMENSIONAL BALLS

All but an $e^{-\epsilon d}$ fraction of a unit ball's volume is within ϵ of its surface. If we randomly sample points with $\|x\|_2 \leq 1$, nearly all will have $\|x\|_2 \geq 1 - \epsilon$.

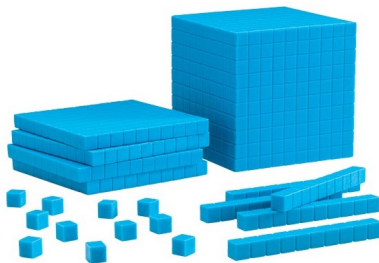
- **Isoperimetric inequality:** the ball has the maximum surface area/volume ratio of any shape.



- If we randomly sample points from **any high-dimensional shape**, nearly all will fall near its surface.
- 'All points are outliers.'

BIZARRE SHAPE OF HIGH-DIMENSIONAL BALLS

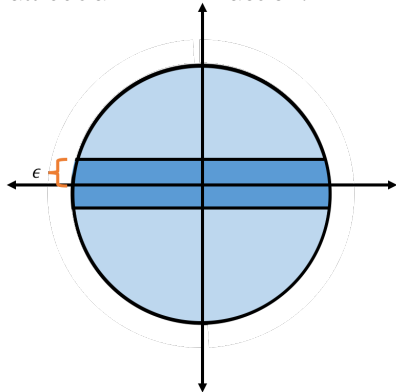
What fraction of the cubes are visible on the surface of the cube?



$$\frac{10^3 - 8^3}{10^3} = \frac{1000 - 512}{1000} = .488.$$

BIZARRE SHAPE OF HIGH-DIMENSIONAL BALLS

What percentage of the volume of \mathcal{B}_d falls within ϵ distance of its equator? Answer: all but a $2^{\Theta(-\epsilon^2 d)}$ fraction.



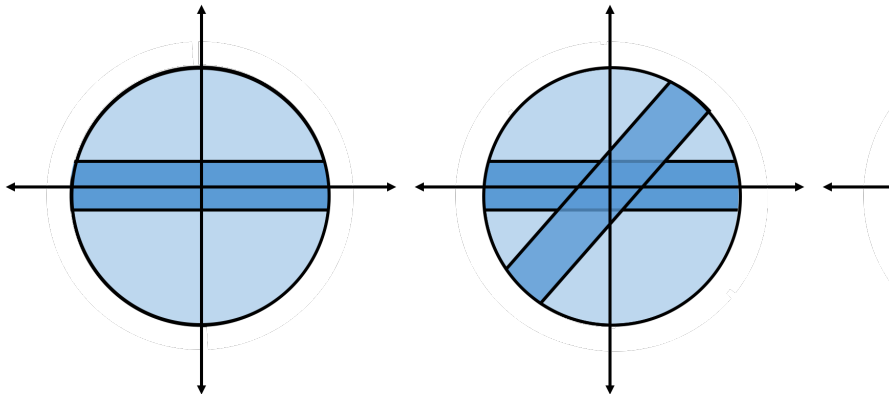
Formally: volume of set $S = \{x \in \mathcal{B}_d : |x(1)| \leq \epsilon\}$.

By symmetry, all but a $2^{\Theta(-\epsilon^2 d)}$ fraction of the volume falls within ϵ of **any equator**! $S = \{x \in \mathcal{B}_d : |\langle x, t \rangle| \leq \epsilon\}$

BIZARRE SHAPE OF HIGH-DIMENSIONAL BALLS

Claim 1: All but a $2^{\Theta(-\epsilon^2 d)}$ fraction of the volume of a ball falls within ϵ of any equator.

Claim 2: All but a $2^{\Theta(-\epsilon d)}$ fraction falls within ϵ of its surface.



How is this possible? High-dimensional space looks nothing like this

Claim: All but a $2^{\Theta(-\epsilon^2 d)}$ fraction of the volume of a ball falls within ϵ of its equator. I.e., in $S = \{x \in \mathcal{B}_d : |x(1)| \leq \epsilon\}$.

Proof Sketch:

- Let x have independent Gaussian $\mathcal{N}(0, 1)$ entries and let $\bar{x} = \frac{x}{\|x\|_2}$. \bar{x} is selected uniformly at random from the surface of the ball.
- Suffices to show that $\Pr[|\bar{x}(1)| > \epsilon] \leq 2^{\Theta(-\epsilon^2 d)}$. *Why?*
- $\bar{x}(1) = \frac{x(1)}{\|x\|_2}$. *What is $\mathbb{E}[\|x\|_2^2]$?* $\mathbb{E}[\|x\|_2^2] = \sum_{i=1}^d \mathbb{E}[x(i)^2] = d$.
 $\Pr[\|x\|_2^2 \leq d/2] \leq 2^{-\Theta(d)}$
- Conditioning on $\|x\|_2^2 \geq d/2$, since $x(1)$ is normally distributed,

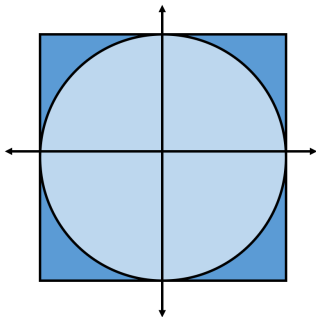
$$\Pr[|\bar{x}(1)| > \epsilon] = \Pr[|x(1)| > \epsilon \cdot \|x\|_2]$$

$$\leq \Pr[|x(1)| > \epsilon \cdot \sqrt{d/2}] = 2^{\Theta(-(\epsilon\sqrt{d/2})^2)} = 2^{\Theta(-\epsilon^2 d)}.$$

HIGH-DIMENSIONAL CUBES

Let \mathcal{C}_d be the d -dimensional cube: $\mathcal{C}_d = \{x \in \mathbb{R}^d : |x(i)| \leq 1 \forall i\}$.

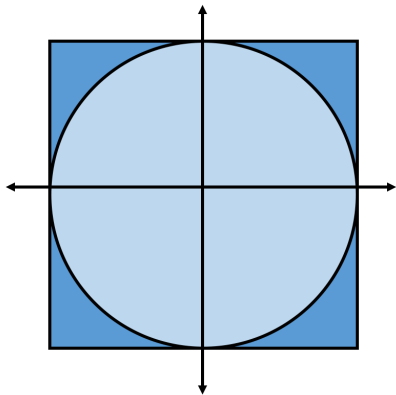
In low-dimensions, the cube is not that different from the ball.



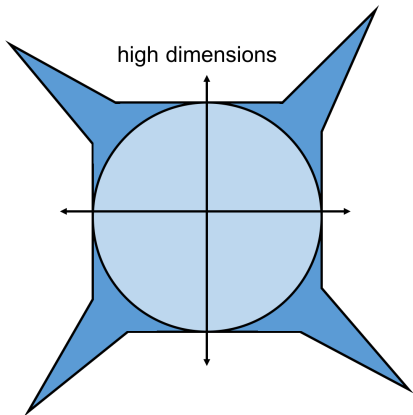
But volume of \mathcal{C}_d is 2^d while volume of \mathcal{B}^d is $\frac{\pi^{d/2}}{(d/2)!} = \frac{1}{d^{\Theta(d)}}$. A huge gap! So something is very different about these shapes...

HIGH-DIMENSIONAL CUBES

2 dimensions



high dimensions

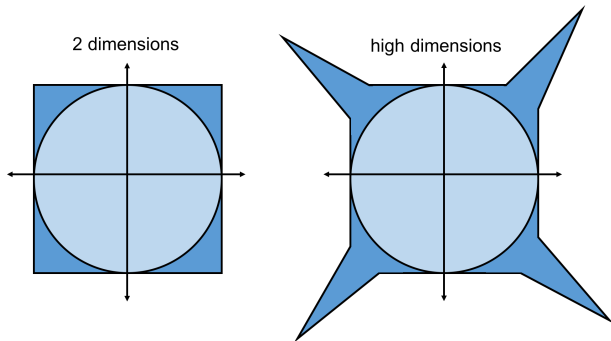


Corners of cube are \sqrt{d} times further away from the origin than the surface of the ball.

HIGH-DIMENSIONAL CUBES

Data generated from the ball \mathcal{B}_d will behave very differently than data generated from the cube \mathcal{C}_d .

- $x \sim \mathcal{B}_d$ has $\|x\|_2^2 \leq 1$.
- $x \sim \mathcal{C}_d$ has $\mathbb{E}[\|x\|_2^2] = d/3$, and $\Pr[\|x\|_2^2 \leq d/6] \leq 2^{-\Theta(d)}$.
- Almost all the volume of the unit cube falls in its corners, and these corners lie far outside the unit ball.



- High-dimensional space behaves very differently from low-dimensional space.
- Random projection (i.e., the JL Lemma) reduces to a much lower-dimensional space that is still large enough to capture this behavior on a subset of n points.
- Need to be careful when using low-dimensional intuition for high-dimensional vectors.
- Need to be careful when modeling data as random vectors in high-dimensions.